

# Specification sheet

## XD 230

FA 4X2 Rigid, 19t



### ENGINES

XD NewGen 230 PX-7 (167 kW / 227 hp)
XD NewGen 260 PX-7 (189 kW / 257 hp)
XD NewGen 290 PX-7 (212 kW / 287 hp)
XD NewGen 310 PX-7 (227 kW / 308 hp)

### GVM<sup>1)</sup>

19000 kg
Max. front 8000 kg
Max. rear 11500 kg

### GCM<sup>2)</sup>

19000 kg

## CAB EXTERIOR

Luxurious Day Cab with unrivalled aerodynamics for fuel efficient driving and low CO2 emissions. The huge and deep frontscreen, curved at the sides combined with large side windows offer an unsurpassed direct view for the driver, to enhance road safety. Cab length: 2030 mm; cab width: 2500 mm. Number of cab entrance steps: 2.; Cab suspension mechanical; LED head lights; DAF Corner View.

### Optional

<b>07018</b> Sleeper Cab	<b>01925</b> Two LED work lamps for cab rear wall
<b>06244</b> Sleeper High Cab	<b>01891</b> Hazard beacons on cab front, prepared
<b>01226</b> Cab suspension air	<b>06629</b> Two hazard beacon lights
<b>03358</b> External sun visor	<b>03232</b> Front windscreen with solar control foil
<b>03922</b> Fog lights front	<b>03317</b> Rear window: double glass
<b>00936</b> Auxiliary LED lights on cab roof, prepared	<b>07343</b> Kerb view window co-driver door
<b>01836</b> LED Skylights	<b>01362</b> DAF Digital Vision System
<b>00949</b> LED Skylights; aux. LED lights on cab rf, prepared	

## AERODYNAMICS

### Optional

<b>00008</b> Adj. roof air deflector short Sleeper High Cab	<b>00082</b> Adj. roof air deflector for Day Cab
<b>00124</b> Adj. rf air defl.long mid >4m(!) Sleeper High Cab	<b>00097</b> Adj. roof air deflector for Sleeper Cab
<b>01538</b> Adj. roof air defl. long high >4m(!) Sleeper High	<b>00020</b> Adj. roof air deflector long low Sleeper High Cab
<b>02662</b> Adj. roof air defl. long mid XD Sleeper High Cab	

## COLOURS

Cab colour E1980 Crystal White; Chassis colour grey.; Colour of bumper: Crystal White.

## CAB INTERIOR

Cab interior trim colour: Luxury; Dashboard finish: Vision; Cab interior decoration: Hexagon; Driver seat: Comfort Air; Co-driver seat: cinema with fabric cover; No dashboard table; Storage compartment in centre; Automatic Temperature Control and airco; No auxiliary cab heater.

### Optional

<b>02354</b> Steering wheel with silver accents	<b>02117</b> Third seat
<b>02355</b> Steering wheel, leather	<b>02837</b> Dashboard table
<b>02353</b> Cab interior decoration: Argenta	<b>03948</b> Single drawer
<b>02350</b> Cab interior decoration: Natura	<b>03954</b> Refrigerator
<b>07733</b> Driver seat: Luxury Air	<b>02838</b> Foam mattress for lower bunk
<b>07736</b> Driver seat: Super Air	<b>02854</b> Xtra Comfort mattress for lower bunk
<b>07737</b> Driver seat: Xtra Leather Air	<b>01775</b> Xtra Comfort mattress with topper for lower bunk
<b>01740</b> Arm rest at both sides of the driver seat	<b>06970</b> Automatic Cab Climate Control

## COMMUNICATION AND DRIVING MANAGEMENT

PACCAR Connect; Tachograph digital, Stoneridge 1C version G2V2; Speed limiter setting 85 km/h nominal; DAF Infotainment Luxury with Luxury speakers; Adaptive Cruise Control with FCW and AEBS-3; Driver Performance Assistant.

### Optional

<b>09681</b> Preparation for Maut	<b>00272</b> DAF infot. Exclusive prepared; Exclusive speakers
<b>00146</b> DAF Infot. Exclusive speakers	<b>01923</b> DAF Infotainment Luxury Plus; Exclusive speakers
<b>01916</b> DAF Infotainment Luxury Plus with Luxury speakers	<b>03470</b> DAF Infotainment System: Exclusive, prepared
<b>01158</b> DAF Infotainment Luxury with Exclusive speakers	<b>01915</b> DAF Infotainment System: Luxury Plus

## SAFETY AND SECURITY

Speed limit recognition; DAF drowsiness detection; Lane Departure Warning System; Vehicle Stability Control (VSC); Basic engine immobiliser system; No EC-ADR packages; Drive-off Assist; DAF Side & Turn Assist.

### Optional

<b>08631</b> Air bag (driver) and 2 seat belt tensioners	<b>01929</b> No Drive-off Assist
<b>02567</b> No Traffic Sign Assist	<b>01952</b> No DAF Side/Turn Assist
<b>02569</b> No Driver State Monitoring	

## SUSPENSION AND AXLES

Front: 8.00 t, parabolic, 163N; Rear axle load 13.00 t; Rear: air suspension, SR1344; No lifting device.

### Optional

<b>04647</b> Front springs air
--------------------------------

## WHEELS AND TYRES

Driven rear axle(s): 315/70R22.5; Tyre pressure monitoring; F1,315/70R22.5GO FMXSE 156/150 L Steering BBA 3P; R1,315/70R22.5GO FMXDE 154/150 L Traction BBA 3P.

### Optional

<b>16152</b> Tyre makes and types
-----------------------------------

## DRIVELINE

Engine PX-7, 6 cylinder diesel engine, 6.7 litres. Output 167 kW (227 hp) at 1900 rpm. Max. torque 890 Nm at 1000-1700 rpm.; Exhaust emission Euro 6; 8-speed PowerLine 8AP1000 overdrive, 4.89-0.64; Gearbox ratio 4.89-0.64; Rear axle ratio 5.14.

## BRAKE SYSTEM

Exhaust brake; Ventilated disc brakes front and rear. Dual circuit air system with electronic control (EBS).Engine driven, water cooled aire compressor with automatic air heated dryer..

### Optional

<b>02861</b> PX Engine Brake	<b>01497</b> Park brake control pneumatic with spoken warning
------------------------------	---------------------------------------------------------------

## CHASSIS

Wheelbase 4.00 m / rear overhang 1.70 m; Side member height 260 mm; Standard component location; 340 l alu fuel tank LH, height 620 mm; Tank for AdBlue® 30 l, right-hand side chassis; Spray suppression.

### Optional

<b>02601</b> Side member height 310 mm	<b>07071</b> Spare wheel carrier right-hand side
<b>16157</b> Fuel tanks, material and sizes	<b>03323</b> Rear light with LEDs

## DRAWBAR AND TRAILER EQUIPMENT

Closing member D-value = 0kN.

### Optional

**08026** Trailer coupling Rockinger **04659** Trailer cable EBS  
D=13.0

## BODIES AND PREPARATIONS FOR BODYING

Application connector chassis.

### Optional

**09421** Additional spare wiring **08121** Tail lift application

## POWER TAKE-OFF (PTO)

### Optional

**16148** PTO types and positions

## 24V POWER SUPPLY

Alternator 80 A, batteries 2x 140 Ah..

### Optional

**01897** Alternator 100 A **08797** Batteries 2x175Ah

## GVM AND GCM

Chassis weight related technical GVM max 19000 kg; Driveline related max GCM 19000 kg.

## APPLICATION CONDITIONS

Air intake front.

### Optional

**02260** Extra cab insulation **03648** Cyclonic air intake high

## SERVICE AND MAINTENANCE

Warranty Plus - Driveline, takes care of 1 year complete vehicle as supplied by the OEM (excl. real wear parts), 2nd and 3rd year driveline up to 500,000 km and 1st year breakdown.; ITS service.

## VEHICLE DELIVERY

Minimum toolkit.

### Optional

**07569** Lifting jack

## OPTION PACKAGES

### Optional

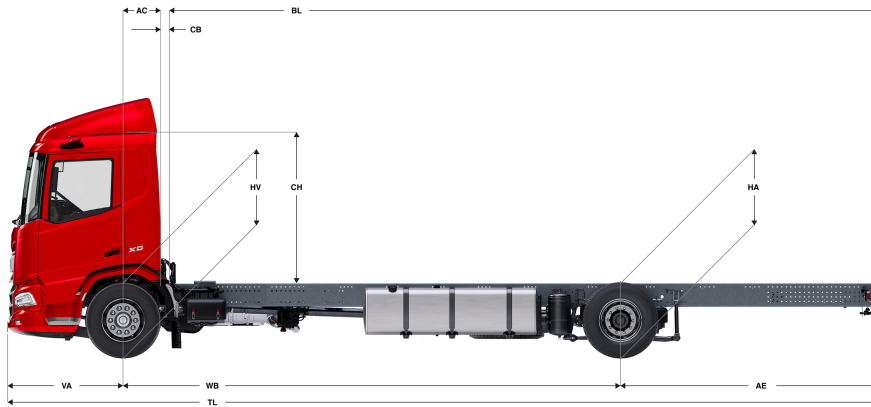
**17595** Executive Pack XD/XF



Go to [DAF.com](https://www.daf.com) to configure your own perfect DAF.

# XD 230

FA 4X2 Rigid, 19t



	Wheelbase - AE		Unladen weight <sup>1)</sup>			Gross Carrying Capacity			Variable dimensions									
	WB	AE <sup>5)</sup>	Front	Rear	Total	Front	Rear	Total	AC	CB <sup>6)</sup>	CH <sup>7)</sup>	BL <sup>8)</sup>	BL	TL	HA <sup>9)</sup>	HA <sup>10)</sup>	TK <sup>11)</sup>	TW <sup>12)</sup>
DAY CAB	4,00	1,70	3786	1908	5694	4214	9592	13306	0,50	0,07	2,06	4,33	5,53	7,23	0,97	0,94	14,02	15,41
	4,20	1,80	3781	1927	5708	4219	9573	13292	0,50	0,07	2,06	4,60	5,85	7,53	0,97	0,94	14,53	15,94
	4,50	1,95	3777	1972	5749	4223	9528	13251	0,50	0,07	2,06	5,00	6,34	7,98	0,97	0,94	15,31	16,73
	4,70	2,05	3774	1989	5763	4226	9511	13237	0,50	0,07	2,06	5,27	6,67	8,28	0,97	0,94	15,83	17,26
	4,90	2,35	3766	2020	5786	4234	9480	13214	0,50	0,07	2,06	5,52	6,99	8,78	0,97	0,94	16,35	17,79
	5,10	2,75	3819	2163	5982	4181	9337	13018	0,50	0,07	2,06	5,79	7,35	9,38	0,97	0,94	16,87	18,32
	5,40	2,65	3838	2175	6013	4162	9325	12987	0,50	0,07	2,06	6,20	7,85	9,58	0,97	0,94	17,66	19,11
	5,70	2,65	3846	2191	6037	4154	9309	12963	0,50	0,07	2,06	6,62	8,36	9,88	0,97	0,94	18,44	19,90
	6,10	1,15	3988	2151	6139	4012	9349	12861	0,50	0,07	2,06	7,26	9,15	8,78	0,97	0,95	19,49	20,96
6,60	1,15	3935	2118	6054	4065	9382	12946	0,50	0,07	2,01	7,92	9,95	9,28	1,02	1,00	20,80	22,28	
6,90	1,15	3941	2132	6073	4059	9368	12927	0,50	0,07	2,01	8,34	10,45	9,58	1,02	1,00	21,59	23,08	
SLEEPER CAB	4,00	1,70	3888	1915	5803	4112	9585	13197	0,83	0,07	2,06	3,71	4,91	7,23	0,97	0,94	14,02	15,41
	4,20	1,80	3884	1933	5818	4116	9567	13182	0,83	0,07	2,06	3,98	5,25	7,53	0,97	0,94	14,53	15,94
	4,50	1,95	3881	1978	5858	4119	9522	13142	0,83	0,07	2,06	4,39	5,74	7,98	0,97	0,94	15,31	16,73
	4,70	2,05	3878	1994	5873	4122	9506	13127	0,83	0,07	2,06	4,65	6,08	8,28	0,97	0,94	15,83	17,26
	4,90	2,35	3870	2026	5896	4130	9474	13104	0,83	0,07	2,06	4,92	6,39	8,78	0,97	0,94	16,35	17,79
	5,10	2,75	3923	2169	6091	4077	9331	12909	0,83	0,07	2,06	5,19	6,75	9,38	0,97	0,94	16,87	18,32
	5,40	2,65	3942	2180	6122	4058	9320	12878	0,83	0,07	2,06	5,60	7,27	9,58	0,97	0,94	17,66	19,11
	5,70	2,65	3951	2196	6146	4049	9304	12854	0,83	0,07	2,06	6,01	7,77	9,88	0,97	0,94	18,44	19,90
	6,10	1,15	4093	2155	6248	3907	9345	12752	0,83	0,07	2,06	6,67	8,57	8,78	0,97	0,95	19,49	20,96
6,60	1,15	4041	2123	6163	3959	9377	12837	0,83	0,07	2,01	7,34	9,38	9,28	1,02	1,00	20,80	22,28	
6,90	1,15	4046	2136	6182	3954	9364	12818	0,83	0,07	2,01	7,74	9,89	9,58	1,02	1,00	21,59	23,08	
SLEEPER HIGH CAB	4,00	1,70	3917	1916	5833	4083	9584	13167	0,83	0,07	2,54	3,73	4,93	7,23	0,97	0,94	14,02	15,41
	4,20	1,80	3914	1934	5847	4086	9566	13153	0,83	0,07	2,54	3,99	5,26	7,53	0,97	0,94	14,53	15,94
	4,50	1,95	3910	1978	5888	4090	9522	13112	0,83	0,07	2,54	4,40	5,76	7,98	0,97	0,94	15,31	16,73
	4,70	2,05	3907	1995	5902	4093	9505	13098	0,83	0,07	2,54	4,67	6,09	8,28	0,97	0,94	15,83	17,26
	4,90	2,35	3899	2026	5925	4101	9474	13075	0,83	0,07	2,54	4,93	6,42	8,78	0,97	0,94	16,35	17,79
	5,10	2,75	3952	2169	6121	4048	9331	12879	0,83	0,07	2,54	5,20	6,78	9,38	0,97	0,94	16,87	18,32
	5,40	2,65	3971	2180	6152	4029	9320	12848	0,83	0,07	2,54	5,63	7,29	9,58	0,97	0,94	17,66	19,11
	5,70	2,65	3980	2196	6176	4020	9304	12824	0,83	0,07	2,54	6,04	7,80	9,88	0,97	0,94	18,44	19,90
	6,10	1,15	4122	2156	6278	3878	9344	12722	0,83	0,07	2,54	6,69	8,59	8,78	0,97	0,95	19,49	20,96
6,60	1,15	4070	2123	6193	3930	9377	12807	0,83	0,07	2,49	7,35	9,41	9,28	1,02	1,00	20,80	22,28	
6,90	1,15	4076	2136	6212	3924	9364	12788	0,83	0,07	2,49	7,77	9,92	9,58	1,02	1,00	21,59	23,08	

OTHER DIMENSIONS VA: 1,53 HV<sup>13)</sup>: 1,00 HV<sup>14)</sup>: 0,93 RB: 0,79 SB: 1,82 TB<sup>15)</sup>: 2,48

- GVM in conformity with registration documents.
- GCM in conformity with registration documents.
- Axle load with standard tyre size.
- Chassis and cab weight calculated with: Standard specification items only with 306 litres of fuel, 27 litres of AdBlue® and driver of 80 kg, tolerance ± 3%. Changing of the specification can have major impact on vehicle weight.
- Other AE dimensions may be available for shown WB. Modify rear overhang to the calculated body length.
- CB is based on standard air intake and/or exhaust.
- Cab height is measured from frame member to closed cabin roof hatch.
- Calculate customer specific body length with TOPEC. Body lengths shown based on evenly distributed load at max axle load.
- Unladen height at centre of driven axle(s).
- Laden height at centre of driven axle(s).
- TK = turning circle between kerbs.
- TW = turning circle between walls.
- Unladen height at centre of front axle(s).
- Laden height at centre of front axle(s).
- TB is overall width at rear. (At centre of front axle 255).

Depending on the vehicle configuration a specific option may not be possible. The availability and specification of this vehicle may differ per country. For further information please contact the DAF organisation. Pictures and technical illustrations are not binding in detail and can differ from the standard specification. Subject to modification without prior notice.